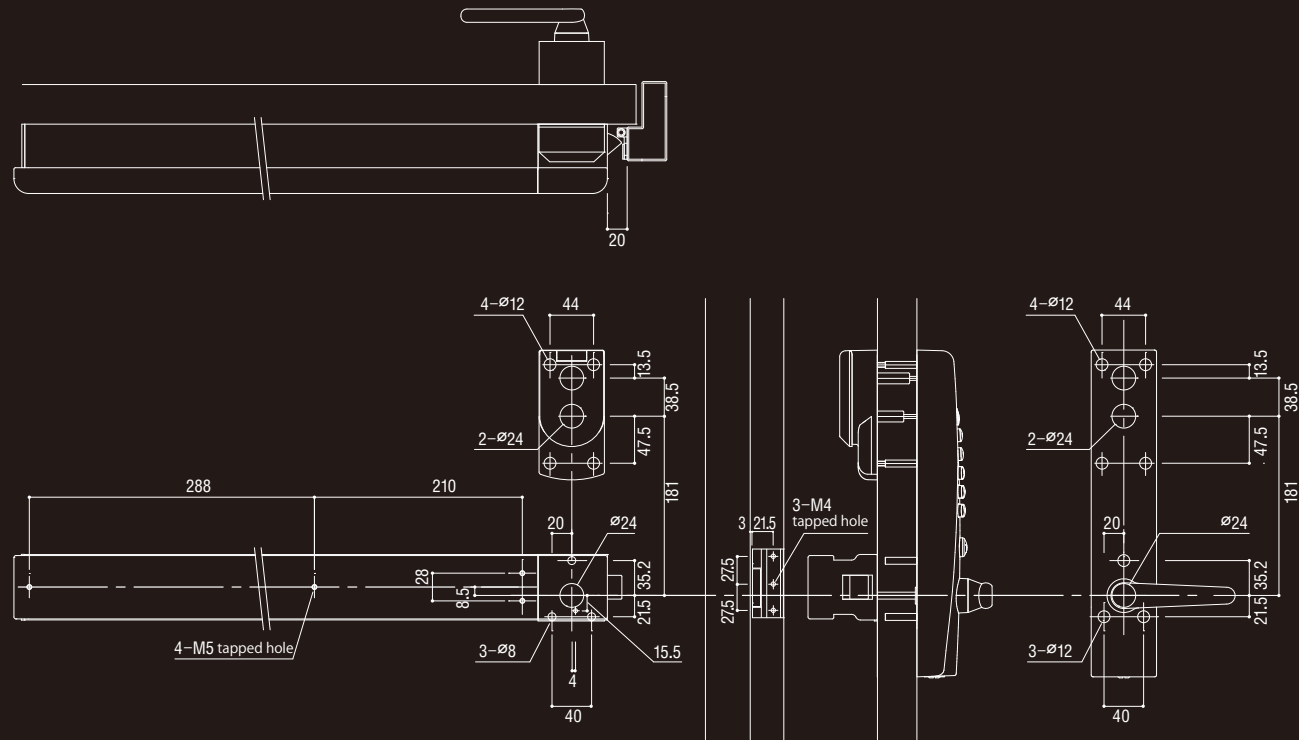


Drawing | PHA200S-KLX



UNION

UNION CORPORATION JAPAN

ITEM

Archism Architectural Hardware	Head Office 2-13-22, Minamihorie, Nishi-ku, Osaka, 550-0015, Japan.
Neolism Door Handles	Osaka Office 2-13-22, Minamihorie, Nishi-ku, Osaka, 550-0015, Japan.
Innov Lever Handles	tel: +81-(0)6-6532-3731
Urgent Fire Extinguisher & AED Cases	fax: +81-(0)6-6533-2293
ArchiParts Architectural Hardware	
UniSmart Storage Space	Tokyo Office
HandBar Grab Rails	2-9-5, Shirakawa, Koto-ku, Tokyo, 135-0021, Japan.
Castal & MetalArt Manufactured Hardware	tel: +81-(0)3-3630-2811
Floor System Floor Fixtures	fax: +81-(0)3-3630-2816
NavilLine Guidance for the Visually Impaired	
HuLandScape Urban Landscaping	Nagoya Office / Showroom 3-20, Funado-cho, Nakagawa-ku, Nagoya, 454-0805, Japan.
Modelize Residential Products	tel: +81-(0)52-363-5221
UniArt	fax: +81-(0)52-363-5255
Styllo	
Hotel Products	Osaka Showroom 2-13-22, Minamihorie, Nishi-ku, Osaka, 550-0015, Japan.
Pregano	tel: +81-(0)6-6532-8920
	fax: +81-(0)6-6533-0224
Office Sanitary Products	Tokyo Showroom
Oasia	2-9-5, Shirakawa, Koto-ku, Tokyo, 135-0021, Japan.
Entrance Products	tel: +81-(0)3-6689-2980
GLORIOUS	fax: +81-(0)3-6689-2986
Safety Fencing & Bollards	Singapore Office 410 North Bridge Rd Singapore 188726
HuLandScape Urban Landscaping	tel: +65-6407-7496

PANIC HANDLE
ostARK + **KEYLEX** 4000 Prime[®]
 HANDLE FOR EMERGENCY EXITS
 Entirely mechanical key-less lock
 COOL & TOUGHNESS



UNION ostARK+KEYLEX4000

A set of the ostArk Door Handle, which can be unlocked with just a push, and the Keylex Lever Handle, which requires no power supply and features an easy to change PIN number lock.

UNION

SINGLE DOOR USE

one-point fastening (center latches)



DOUBLE DOOR USE

one-point fastening (center latches) + two-point fastening (upper and lower latches)



PHA200S-KLX

PHA200S-KLX-L ¥198,000
left
PHA200S-KLX-R ¥198,000
right

Stainless Steel, Hairline
& Aluminum, Baked Finish, Black + White Bronze Plated

- Specify the hinge side (from the inside, left or right).
- Use with a door closer.
- A special snow and freeze resistant Keylex cover is also available. (Sold separately)

PHA200W-KLX

PHA200W-KLX-L ¥297,000
left
PHA200W-KLX-R ¥297,000
right

Stainless Steel, Hairline
& Aluminum, Baked Finish, Black + White Bronze Plated

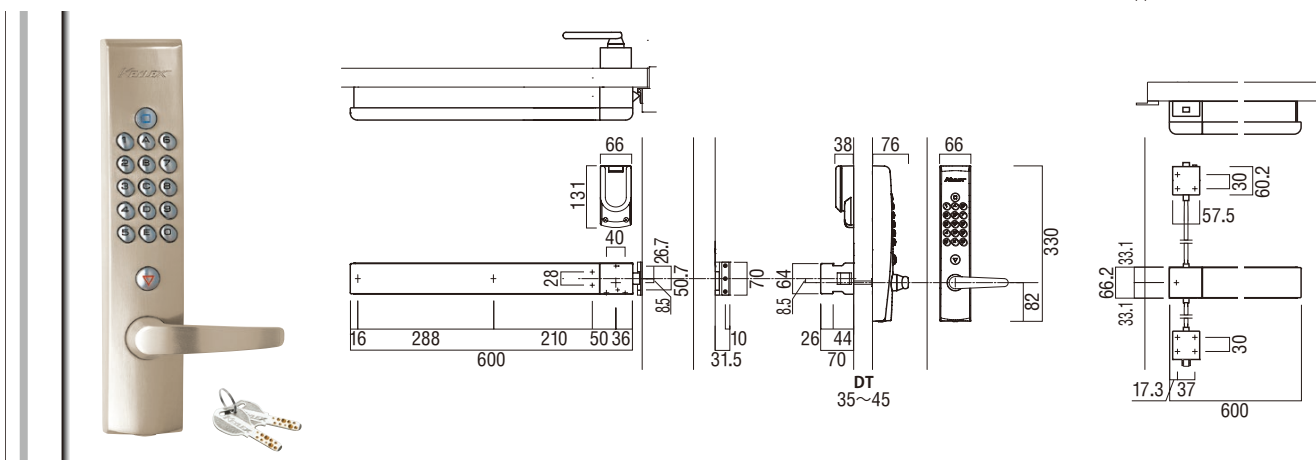
- Specify the direction of swing (from the inside, left or right).
- Use with a door closer.
- The rear opening side is temporarily fixed when activated to prevent the floor from interfering with the lower latch.
- A special snow and freeze resistant Keylex cover is also available. (Sold separately)



Outside (KEYLEX4000)

one-point fastening
(center latches)

two-point fastening
(upper and lower latches)

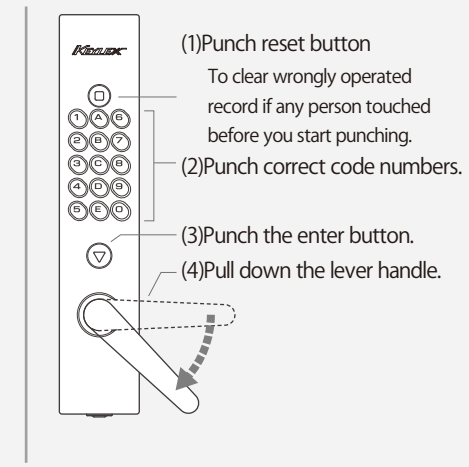


For unlocking

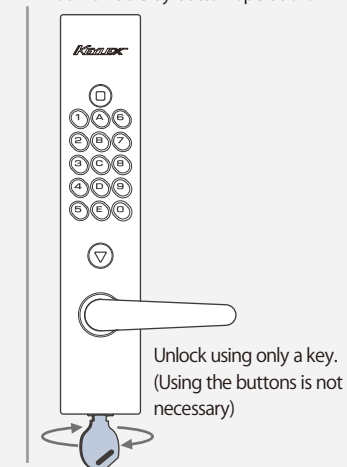
From outside

Under auto locking system function

- Proceed (1) to (4) for unlocking.

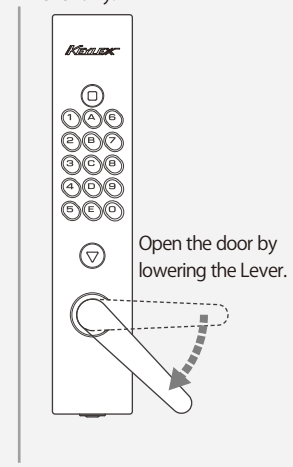


- Unlock by key only.
Not workable by button operation.



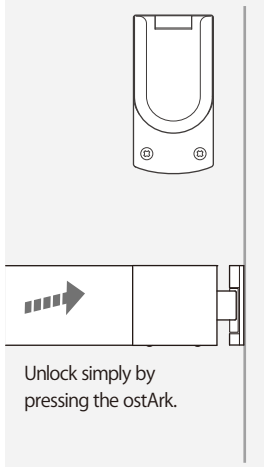
Under passage function

- Open door by pulling down lever only.



From inside

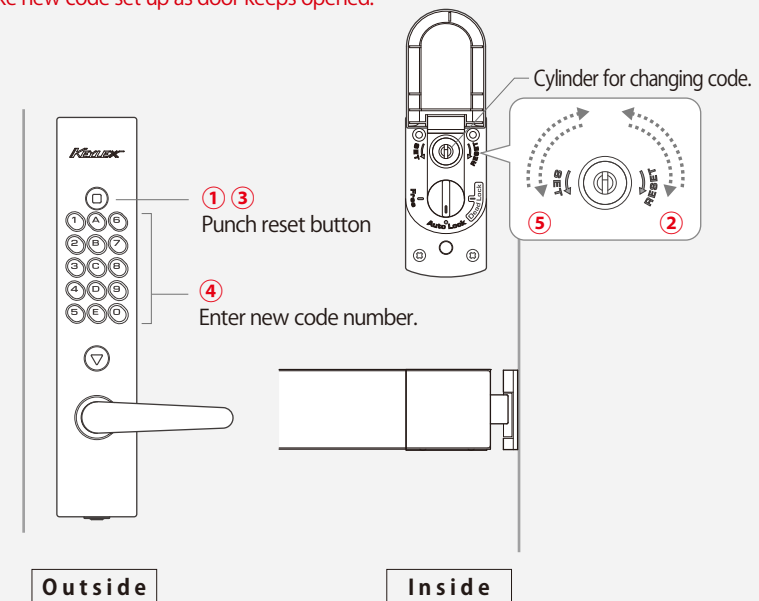
- You open door by ostARK.



Steps for changing code number

For security, regular change of code is recommended.

- *New code set up is arrangeable as lock body remains on door.
- *Make new code set up as door keeps opened.



STEP 1

- 1 Punch reset button.
- 2 Put the key into cylinder and turn right 90 degrees then return key to original point and pull it out.

STEP 2

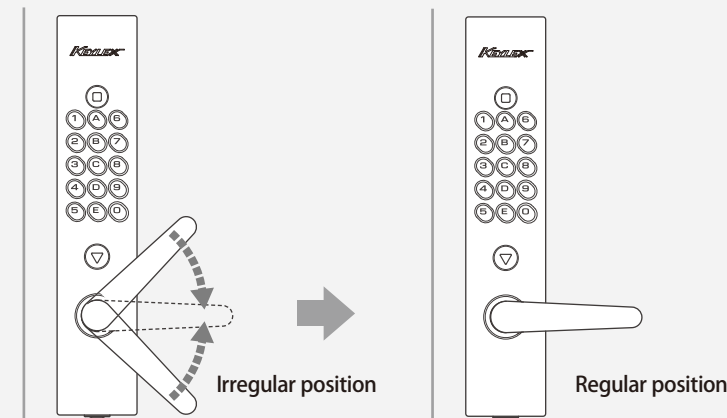
- 3 Punch reset button.
- 4 Enter new code number as per your selection.
- 5 Put the key into cylinder and turn left (to set direction) and pull it out.

Note : After you set the new code number, better check if it is correctly encoded by reviewing the punch work of code number

ATTENTION

- 1 to 15 digits as per your option can be encoded by PHA200-KLX.
- There is 32,768 combination.
- This mechanical lock gives you free order in punching work. Example : If code number 1-2-3 is set, you can unlock by punching either 1-2-3 or 2-3-1, 3-1-2, 1-3-2.
- Basically, Just one time operation is enough. (Same button cannot be repeatedly pushed.) Example : Cannot set up like 1-1-2-3, 1-2-2-3.

Correct position of lever handle



In case lever handle does not stay at correct position, it means safety device is actuated to protect from the irregular attack by force.

Lever handle is equipped with safety device to protect from being opened by force.

If lever handle is operated by force without punching code numbers, safety device is actuated to protect inside mechanics and lever handle gets free turn and stops at upper or lower position like sketch shows.

This is not mechanical problem and return the lever handle to the normal position. (In horizontal level) Standard operation is functioned as usual.